

**Transistoraufstellung:**

- BF 224 Texas Instr.
- BF 245 G Texas Instr.
- BF 237 Texas Instr. = BF 241 Telex.
- BF 238 Texas Instr. = BF 240 Telex.
- BC 181 Texas Instr. = BC 252 A Intermetall
- AC 187 k Valvo
- AC 188 k Valvo

- BC 107 A Siemens-Telef.-Valvo = BC 182 A Texas = BC 237 A Siemens-Telef.-Valvo
- BC 108 A Siemens-Telef.-Valvo = BC 183 A Texas = BC 238 A Siemens-Telef.-Valvo
- BC 108 C Siemens-Telef.-Valvo = BC 183 C Texas = BC 238 C Siemens-Telef.-Valvo
- BC 109 C Siemens-Telef.-Valvo = BC 184 C Texas = BC 239 C Siemens-Telef.-Valvo

ACCESSIONE	PF	DL	GM	OC I	OC II	OC III	OC IV	FM	ANT
MARCHE	PU	LU	MW	SW I	SW II	SW III	SW IV	FM	ANT
ON	PU	LU	MW	SW I	SW II	SW III	SW IV	FM	ANT
OFF	PU	LU	MW	SW I	SW II	SW III	SW IV	FM	ANT

**Schaltstufung**  
 SWITCHING  
 DIRECTION OF COMMUTATION  
 DIREZIONE DI COMUTAZIONE

**Wellenbereiche**  
 WAVE BANDS  
 GAMME D'ONDES  
 DIREZIONE DI COMUTAZIONE

DC Wandler  
 TRANSFORMER C C  
 SINDRORE A CORRENTE CONTINUA

FM-Anzeige - Verstärker  
 FM-INDICATION-AMPLIFIER  
 AMPLIFICATEUR D'INDICATION-FM

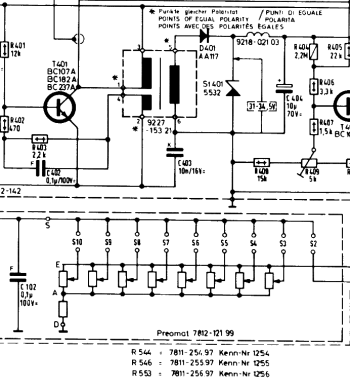
FM-Mischstufe  
 FM-MIXER STAGE  
 MELANGEUR-FM

Ferrite Antenne  
 FERRITE ANTENNA  
 ANTENNA FERRITE COMPLETA

Spannungen mit Grundig Röhrenvoltmeter auf den Meßbereichen 100/30/10/3/1V bei 7,5V Batteriespannung gemessen. Spannungs- und Stromwerte gültig bei regelmäßiger Drehung ohne Signal.

VOLTAGES MEASURED WITH GRUNDIG VTVM AT A BATTERY VOLTAGE OF 7.5V IN THE MEASURING RANGES 100/30/10/3/1V. VOLTAGE AND CURRENT VALUES ARE VALID WITH NO SIGNAL APPLIED AND CLOSED VARIABLE CAPACITOR.

TENSIONI E CORRENTI MISURATE CON VOLTMETRO ELETTRONICO GRUNDIG SULLE PORTATE 100/30/10/3/1V CON TENSIONE DI BATTERIA DI 7,5V. I VALORI DELLE TENSIONI E DELLE CORRENTI SONO VALIDI CON ASSENZA DI SEGNALE E CONDENSATORE VARIABILE CHIUSO.



Änderungen vorbehalten!  
 ALTERATIONS RESERVED!  
 MODIFICAZIONI RISERVATEES!  
 CON RISERVA DI MODIFICA!



**WERKE GMBH FÜRTH (BAY.)**  
**Ocean-Boy 210**  
 (14-1638-1141)  
 (Transistor 3005)  
 (14-1638-9141)

C	1	2	3	4	5	6	7	8	9	10	11	12	13	14	15	16	17	18	19	20	21	22	23	24	25	26	27	28	29	30	31	32	33	34	35	36	37	38	39	40	41	42	43	44	45	46	47	48	49	50	51	52	53	54	55	56	57	58	59	60	61	62	63	64	65	66	67	68	69	70	71	72	73	74	75	76	77	78	79	80	81	82	83	84	85	86	87	88	89	90	91	92	93	94	95	96	97	98	99	100
---	---	---	---	---	---	---	---	---	---	----	----	----	----	----	----	----	----	----	----	----	----	----	----	----	----	----	----	----	----	----	----	----	----	----	----	----	----	----	----	----	----	----	----	----	----	----	----	----	----	----	----	----	----	----	----	----	----	----	----	----	----	----	----	----	----	----	----	----	----	----	----	----	----	----	----	----	----	----	----	----	----	----	----	----	----	----	----	----	----	----	----	----	----	----	----	----	----	----	----	-----